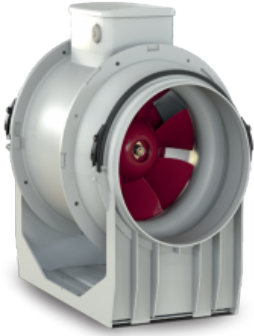


LINEO 160 ES (17183)

GENERAL DATA

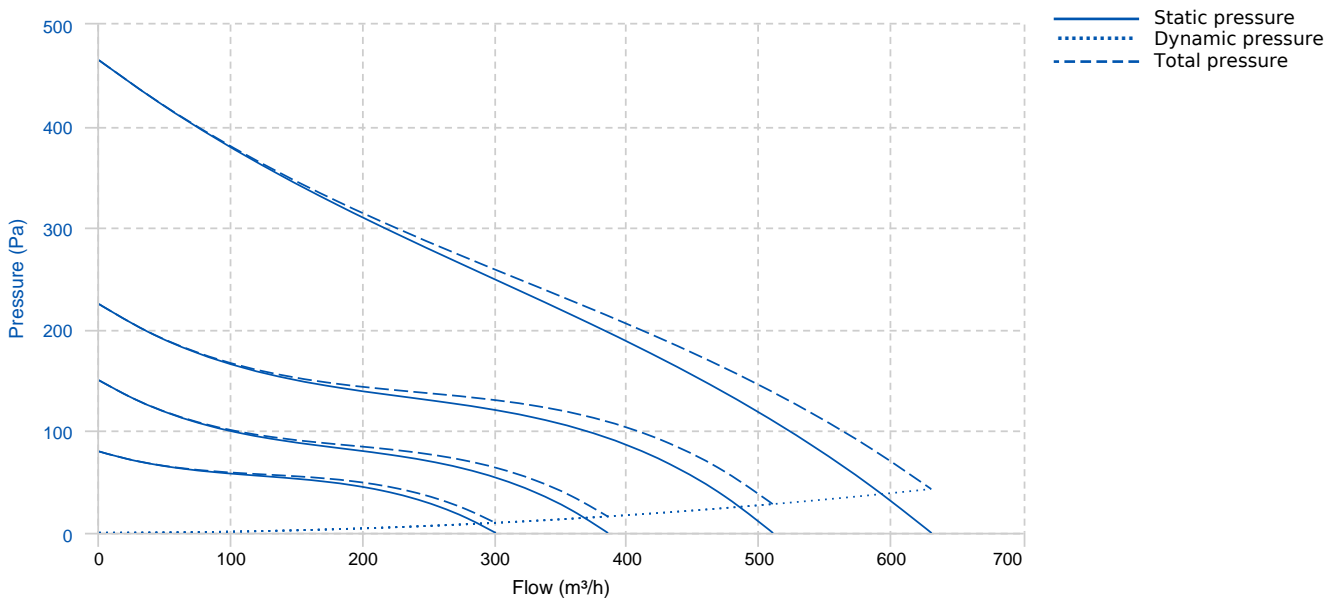


Energy-saving mixed flow fans

The appliances of the LINEO ES series adopt electronically controlled motors (EC brushless), which guarantee very low specific consumption. Speed adjustment is permitted by potentiometer (signal 0-10 V) or, alternatively, by using the two-speed option, selectable by external switch and can be set to installation in a predefined range.

- Fire resistant plastic resin construction, class E2, according to ISO EN 11925-2:2010, in areas overlooking the engine and electrical components.
- EC Brushless motor, thermally protected, with shaft mounted on ball bearing supports, combined with a helical-centrifugal impeller.
- High degree of water resistance: IPX5 (if installed in duct).
- Equipped with a safety device for over-temperature thermofuse.
- Speed adjustment via potentiometer (signal 0 - 10 V) or 2-speed switch (the two speeds can be set to installation in a predefined range).

PERFORMANCE CURVE



TECHNICAL DATA

Fan

RPM

-

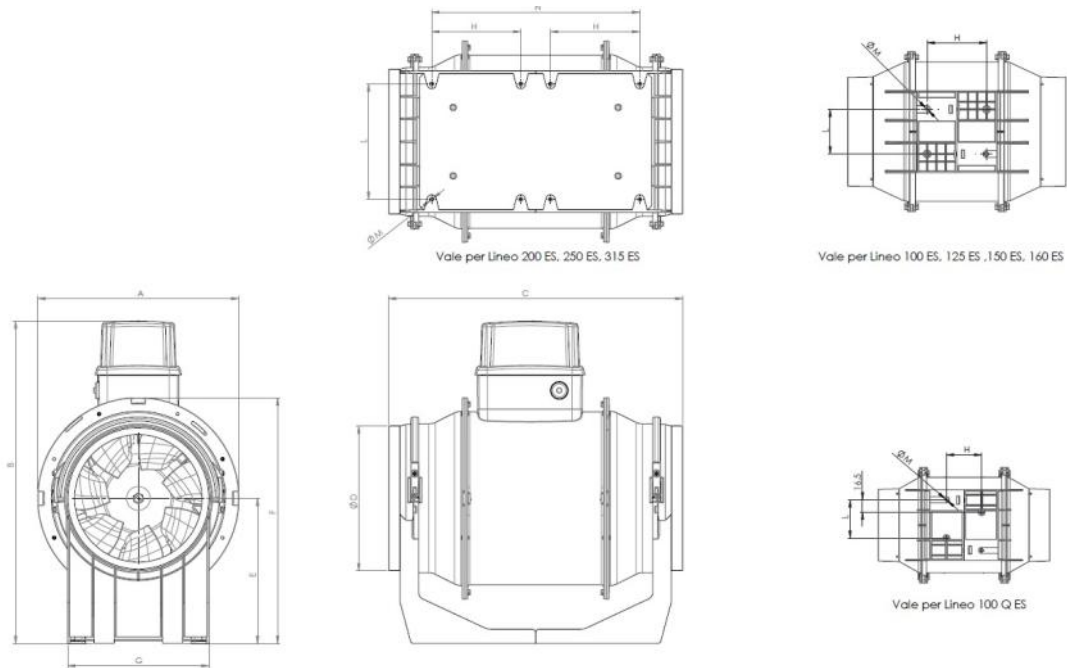
Approx. weight

2.1 kg

Max. Flow

630 m³/h

DIMENSIONS



Dimensions (mm)

A	214.5	B	265	C	272.5	D diam.	156	E	112.5
F	212	G	110	H	60	L	80	M diam.	5.5

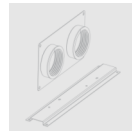
WIRING DIAGRAM

FOR ELECTRICAL SCHEMES
PLEASE SEE THE USER MANUAL

ACCESSORIES



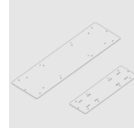
PROTECTION GRILLE
LINEO-G 160 (protection grille)
REF: 22704



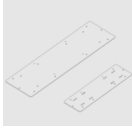
Kit for parallel application.
LINEO-PF 160 (parallel installation kit)
REF: 22581



Coupling for series application.
LINEO-C 160 (series installation kit)
REF: 22587



SENSOR
C TIMER
REF: 12999



Bracket for series application.
LINEO-SF 700 (series installation plate)
REF: 22594



Potentiometer
POT (potentiometer)
REF: 12828



SENSOR
C SMOKE (smoke sensor)
REF: 12993



SENSOR
C PIR (passive infrared sensor)
REF: 12998