

Technical Data Sheet

CODE 17143

LINEO 100 Q

Mixed flow extractor fans



Certifications

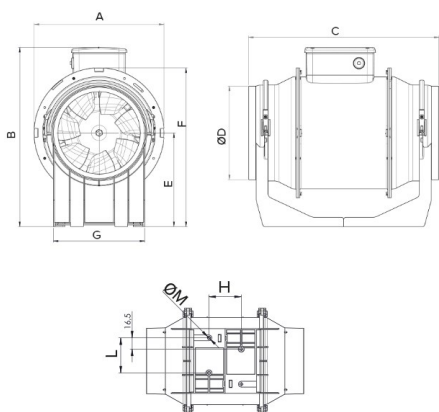


CB TEST CERTIFICATE

Technical and performance data

Frequency (Hz)	50	Airflow at 1st speed (l/s)	43,1
Insulation class	II°	Airflow at 1st speed (m³/h)	155
IP	44	Max airflow at Max speed (l/s)	55,6
Max absorbed current at Max speed (A)	0,07	Max airflow at Max speed (m³/h)	200
Max absorbed current at Min speed (A)	0,05	Max pressure at Max speed (mmH2O)	7,5
Max absorbed power (W)	15	Max pressure at Max speed (Pa)	73,6
Max ambient temperature for continuous operation (°C)	60	Max RPM	2450
Nominal diameter (mm)	100	Min RPM	1860
Power absorbed at 1st speed (W)	12	Pressure at 1st speed (mmH2O)	6,5
Voltage (V)	220-240	Pressure at 1st speed (Pa)	63,8
Weight (Kg)	1,25	Sound pressure at 3 m - min speed Lp [dB (A)]	29,4
		Sound pressure at 3m at Max speed Lp [dB (A)]	37,9

Dimensions



Size A (mm)	156
Size B (mm)	174
Size C (mm)	231
Size D (mm)	Ø 96
Size E (mm)	82
Size F (mm)	152
Size G (mm)	95
Size H (mm)	47,5
Size L (mm)	51,5
Size M (mm)	4,5

PER INFORMAZIONI / FOR INFORMATION

ITALY

Pre Sales:
prevendita@vortice-italy.com
After Sales:
postvendita@vortice-italy.com

UNITED KINGDOM & REP. OF

IRELAND
Sales Dept:
sales@vortice.ltd.uk
Technical Dept:
technical@vortice.ltd.uk

OTHER COUNTRIES

Sales Dept:
export@vortice-italy.com
After Sales:
after-sales@vortice-italy.com

Technical Data Sheet

CODE 17143

LINEO 100 Q

Mixed flow extractor fans

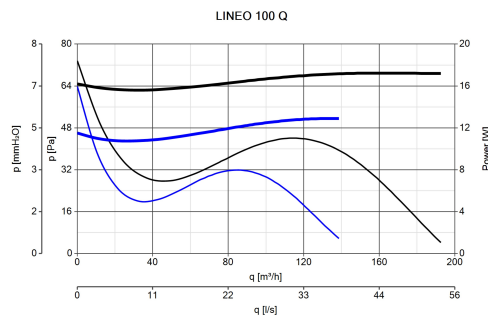


Description

- Enclosures made of fire resistant plastic resin, E2 class, according with ISO EN 11925-2: 2010, in areas close to motor and electrical components.
- Nominal diameter 100 mm.
- Induction motor, thermally protected, with shaft mounted on ball

- bearing supports, coupled with a centrifugal impeller.
- High water resistance: IPX5 (if installed in a duct).
- Speed adjustable through Vortice speed devices.

Curves



Accessories



C TEMP
Code 12992



C SMOKE
Code 12993



C HCS
Code 12994



C PIR
Code 12998



C TIMER
Code 12999



LINEO-G 100
Code 22701



LINEO-C 100
Code 22584



LINEO-PF 100
Code 22577



DUO
Code 22914



IN-LINE-S 100
Code 22551



C 1.5
(COMANDO EL.)

1.5 A)

Code 12966



**KIT SCB
(TRASF.E.C.)**

Code 22481

PER INFORMAZIONI / FOR INFORMATION

ITALY

Pre Sales:

prevendita@vortice-italy.com

After Sales:

postvendita@vortice-italy.com

UNITED KINGDOM & REP. OF

IRELAND

Sales Dept:

sales@vortice.ltd.uk

Technical Dept:

technical@vortice.ltd.uk

OTHER COUNTRIES

Sales Dept:

export@vortice-italy.com

After Sales:

after-sales@vortice-italy.com