

Technical Data Sheet

CODE 17158

LINEO 100 Q ES

Energy saving mixed flow extractor fans



Certifications



IMQ Performance

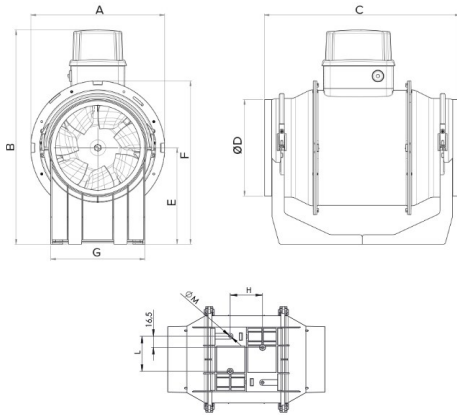


Technical and performance data

Corrente max assorbita a 2V (A)	0,08	Max pressure at 6V (Pa)	28,4
Frequency (Hz)	50-60	Max pressure at 10V (mmH2O)	10,4
Insulation class	II°	Max pressure at 4V (mmH2O)	1,8
IP	45	Max pressure at 6V (mmH2O)	2,9
Max absorbed current at 10V (A)	0,24	Max pressure at 8V (mmH2O)	9,3
Max absorbed current at 4V (A)	0,09	Max pressure at 8V (Pa)	91,2
Max absorbed current at 6V (A)	0,11	Portata max a 2V (l/s)	8,3
Max absorbed current at 8V (A)	0,15	Portata max a 2V (m3/h)	30
Max absorbed power at 10V (W)	19	Potenza sonora Lw [dB (A)] IN ASPIRAZIONE - a 2V	42,6
Max absorbed power at 4V (W)	5,7	Potenza sonora Lw [dB (A)] IN MANDATA - a 2V	42
Max absorbed power at 6V (W)	7,3	Pressione max a 2V (mmH2O)	0,2
Max absorbed power at 8V (W)	11	Pressione max a 2V (Pa)	2
Max ambient temperature for continuous operation (°C)	60	Pressione sonora Lp [dB (A)] 3m IN ASPIRAZIONE - a 2V	25,1
Nominal diameter (mm)	100	Pressione sonora Lp [dB (A)] 3m IN MANDATA - a 2V	24,5
Potenza max assorbita a 2V (W)	3,9	Pressione sonora Lp [dB (A)] 3m IRRADIATO - a 2V	6,1
Voltage (V)	220-240	RPM 2V	510
Weight (Kg)	1,8	RPM at 10V	3335
Breakout sound power at 10V Lw [dB (A)]	56,7	RPM at 4V	1245
Breakout sound power at 2V LWA [dB (A)]	26,6	RPM at 6V	1660
Breakout sound power at 4V Lw [dB (A)]	32,9	RPM at 8V	2260
Breakout sound power at 6V Lw [dB (A)]	37,8	Sound power at extract side at 10V speed LWA [dB (A)]	84
Breakout sound power at 8V Lw [dB (A)]	46,7	Sound power at extract side at 4V speed LWA [dB (A)]	57,1
Breakout sound pressure at 3m at 10V Lp [dB (A)]	36,1	Sound power at extract side at 6V speed LWA [dB (A)]	65,7
Breakout sound pressure at 3m at 4V Lp [dB (A)]	12,3	Sound power at extract side at 8V speed LWA [dB (A)]	74,2
Breakout sound pressure at 3m at 6V Lp [dB (A)]	17,2	Sound power at supply side at 10V speed LWA [dB (A)]	86,8
Breakout sound pressure at 3m at 8V Lp [dB (A)]	26,2	Sound power at supply side at 4V speed LWA [dB (A)]	55,6
Max airflow at 10V (l/s)	68,1	Sound power at supply side at 6V speed LWA [dB (A)]	65,4
Max airflow at 10V (m³/h)	245	Sound power at supply side at 8V speed LWA [dB (A)]	74,8
Max airflow at 4V (l/s)	23,6	Sound pressure at extract side at 3m at 10V Lp [dB (A)]	66,5
Max airflow at 4V (m³/h)	85	Sound pressure at extract side at 3m at 4V Lp [dB (A)]	39,6
Max airflow at 6V (l/s)	33,3	Sound pressure at extract side at 3m at 6V Lp [dB (A)]	48,2
Max airflow at 6V (m³/h)	120	Sound pressure at extract side at 3m at 8V Lp [dB (A)]	56,7
Max airflow at 8V (l/s)	44,4	Sound pressure at supply side at 3m at 10V Lp [dB (A)]	69,3
Max airflow at 8V (m³/h)	160	Sound pressure at supply side at 3m at 4V	38,1
Max pressure at 10V (Pa)	102		
Max pressure at 4V (Pa)	15,7		

Lp [dB (A)]	
Sound pressure at suply side at 3m at 6V	47,8
Lp [dB (A)]	
Sound pressure at suply side at 3m at 8V	57,3
Lp [dB (A)]	

Dimensions



Size A (mm)	156
Size B (mm)	205
Size C (mm)	231
Size D (mm)	Ø 96
Size E (mm)	82
Size F (mm)	152
Size G (mm)	95
Size H (mm)	47,5
Size L (mm)	51,5
Size M (mm)	Ø 4,5

PER INFORMAZIONI / FOR INFORMATION

ITALY

Pre Sales:
prevendita@vortice-italy.com
 After Sales:
postvendita@vortice-italy.com

UNITED KINGDOM & REP. OF

IRELAND
 Sales Dept:
sales@vortice.ltd.uk
 Technical Dept:
technical@vortice.ltd.uk

OTHER COUNTRIES

Sales Dept:
export@vortice-italy.com
 After Sales:
after-sales@vortice-italy.com

Technical Data Sheet

CODE 17158

LINEO 100 Q ES

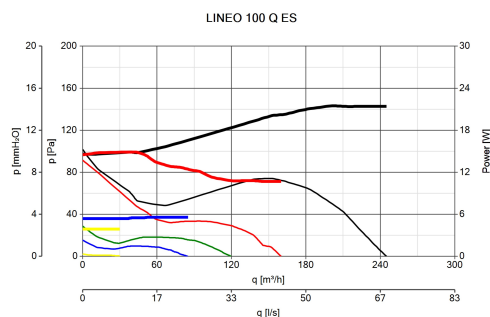
Energy saving mixed flow extractor fans



Description

- Enclosures made of fire resistant plastic resin, E2 class, according with ISO EN 11925-2: 2010, in areas close to motor and electrical components.
- Nominal diameter 100 mm.
- EC (brushless) motor, thermally protected, with shaft mounted on ball bearing supports, coupled with a centrifugal impeller.
- High water resistance: IPX5 (if installed in a duct).
- Equipped with a thermal fuse overheating safety device.
- Speed adjustable through potentiometer (0-10V signal) or two-speed switch (to be set at the installation in a preset range).

Curves



Accessories



LINEO-G 100
Code 22701



LINEO-C 100
Code 22584



LINEO-PF 100
Code 22577



POT-IT
Code 12826



LINEO-SF 500
Code 22593



IREM D
Code 12867



POT
Code 12828



C TEMP
Code 12992



C SMOKE
Code 12993



C HCS
Code 12994



C PIR
Code 12998

C TIMER

C TIMER

Code 12999

PER INFORMAZIONI / FOR INFORMATION

ITALY

Pre Sales:

prevendita@vortice-italy.com

After Sales:

postvendita@vortice-italy.com

UNITED KINGDOM & REP. OF

IRELAND

Sales Dept:

sales@vortice.ltd.uk

Technical Dept:

technical@vortice.ltd.uk

OTHER COUNTRIES

Sales Dept:

export@vortice-italy.com

After Sales:

after-sales@vortice-italy.com