

Technical Data Sheet

CODE 17160

LINEO 100 QUIET

Sound-proof mixed flow extractor fans



Certifications

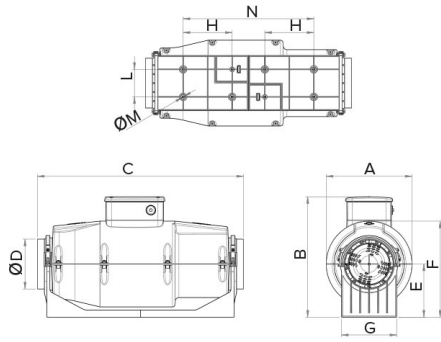


CB TEST CERTIFICATE

Technical and performance data

Frequency (Hz)	50-60	Max airflow at Mid speed at 60 Hz (m ³ /h)	190
Insulation class	II°	Max airflow at Min speed (l/s)	55,6
IP	45	Max airflow at Min speed at 60 Hz (l/s)	43,1
Max absorbed current at maMinx speed at 60 Hz (A)	0,10	Max airflow at Min speed at 60 Hz (m ³ /h)	155
Max absorbed current at Max speed (A)	0,13	Max pressure at 60 Hz (mmH2O)	14,4
Max absorbed current at Max speed at 60 Hz (A)	0,13	Max pressure at Max speed (mmH2O)	15
Max absorbed current at Mid speed (A)	0,11	Max pressure at Max speed (Pa)	147,1
Max absorbed current at Mid speed at 60 Hz (A)	0,11	Max pressure at Max speed at 60Hz (Pa)	141,2
Max absorbed current at Min speed (A)	0,09	Max pressure at Mid speed (mmH2O)	11,5
Max absorbed power at Max speed (W)	27	Max pressure at Mid speed (Pa)	112,8
Max absorbed power at Max speed at 60 Hz (W)	27	Max pressure at Mid speed at 60Hz (mmH2O)	11,2
Max absorbed power at Mid speed (W)	24	Max pressure at Mid speed at 60Hz (Pa)	109,8
Max absorbed power at Mid speed at 60 Hz (W)	23	Max pressure at Min speed at 60Hz (mmH2O)	7,6
Max absorbed power at Min speed at 60 Hz (W)	13	Max pressure at Min speed at 60Hz (Pa)	74,5
Max ambient temperature for continuous operation (°C)	45	Max RPM	2260
Max room temperature for continuous operation at 60 Hz (°C)	45	Max speed at 60 Hz (Rpm)	2100
Nominal diameter (mm)	100	Mid speed at 60 Hz (Rpm)	1795
Power absorbed at 1st speed (W)	11	Min RPM	1455
Voltage (V)	220-240	Min speed at 60 Hz (Rpm)	1445
Weight (Kg)	3,8	Potenza sonora at supply side at Min speed LWA [dB (A)]	40
Airflow at 1st speed (l/s)	41,7	Pressure at 1st speed (mmH2O)	9
Airflow at 1st speed (m ³ /h)	150	Pressure at 1st speed (Pa)	88,3
Breakout sound power LWA at Max speed [dB (A)]	48,9	RPM at Mid speed	1880
Breakout sound power LWA at Mid speed [dB (A)]	44	Sound power at extract side at Max speed LWA [dB (A)]	52,8
Breakout sound power LWA at Min speed [dB (A)]	36,5	Sound power at extract side at Mid speed LWA [dB (A)]	48,3
Breakout sound pressure at 3m at Max speed Lp [dB (A)]	28,4	Sound power at extract side at Min speed LWA [dB (A)]	40,3
Breakout sound pressure at 3m at Mid speed Lp [dB (A)]	23,5	Sound power at supply side at Max speed LWA [dB (A)]	52,6
Breakout sound pressure at 3m at Min speed Lp [dB (A)]	16	Sound power at supply side at Mid speed LWA [dB (A)]	47,8
Max airflow at Max speed (l/s)	72,2	Sound pressure at extract side at 3m at Max speed Lp [dB (A)]	35,3
Max airflow at Max speed (m ³ /h)	260	Sound pressure at extract side at 3m at Mid speed Lp [dB (A)]	30,8
Max airflow at Max speed at 60 Hz (l/s)	63,9	Sound pressure at extract side at 3m at Min speed Lp [dB (A)]	22,8
Max airflow at Max speed at 60 Hz (m ³ /h)	230	Sound pressure at supply side at 3m at Max speed Lp [dB (A)]	35,1
Max airflow at Mid speed (m ³ /h)	200	Sound pressure at supply side at 3m at Mid speed Lp [dB (A)]	30,3
Max airflow at Mid speed at 60 Hz (l/s)	52,8	Sound pressure at supply side at 3m at Min speed Lp [dB (A)]	22,5

Dimensions



Size A (mm)	210
Size B (mm)	294,5
Size C (mm)	639
Size D (mm)	Ø 97
Size E (mm)	130
Size F (mm)	235
Size G (mm)	135
Size H (mm)	120
Size L (mm)	67,5
Size M (mm)	Ø 5,5
Size N (mm)	320

PER INFORMAZIONI / FOR INFORMATION

ITALY

Pre Sales:
prevendita@vortice-italy.com
 After Sales:
postvendita@vortice-italy.com

UNITED KINGDOM & REP. OF

IRELAND
 Sales Dept:
sales@vortice.ltd.uk
 Technical Dept:
technical@vortice.ltd.uk

OTHER COUNTRIES

Sales Dept:
export@vortice-italy.com
 After Sales:
after-sales@vortice-italy.com

Technical Data Sheet

CODE 17160

LINEO 100 QUIET

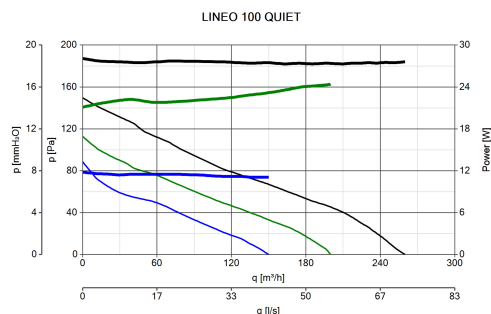
Sound-proof mixed flow extractor fans



Description

- Enclosures made of fire resistant plastic resin, E2 class, according with ISO EN 11925-2: 2010, in areas close to motor and electrical components.
- Casing integrating a sound-absorbing coating, optimized to minimize sound emissions radiated into the environment and transmitted through exhaust and supply ducts.
- Nominal diameter 100 mm.
- Induction motor, thermally protected, with shaft mounted on ball bearing supports, coupled with a centrifugal impeller.
- High water resistance: IPX5 (if installed in a duct).
- Speed adjustable through Vortice speed devices.

Curves



Accessories



C TEMP
Code 12992



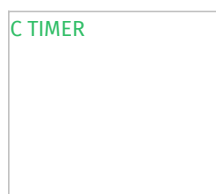
C SMOKE
Code 12993



C HCS
Code 12994



C PIR
Code 12998



C TIMER
Code 12999



TRIO-LINEO 503
Code 12891



C5 0.5 (COMANDO 5V 0.5 A)
Code 12987



**C 1.5
(COMANDO EL.
1.5 A)**

Code 12966

**KIT SCB
(TRASF.E.C.)**

Code 22481

**KIT SCB5
(TRASF.5 V.)**

Code 22483

PER INFORMAZIONI / FOR INFORMATION

ITALY

Pre Sales:
prevendita@vortice-italy.com
After Sales:
postvendita@vortice-italy.com

UNITED KINGDOM & REP. OF

IRELAND

Sales Dept:
sales@vortice.ltd.uk
Technical Dept:
technical@vortice.ltd.uk

OTHER COUNTRIES

Sales Dept:
export@vortice-italy.com
After Sales:
after-sales@vortice-italy.com